

REV A
 SHEET 1
 DWG NO. 25-A-MFE-XX

SPECIFICATIONS:

25 WATT BI-DIRECTIONAL COAXIAL ATTENUATOR

POWER RATING: 25 WATTS MAXIMUM @ 40°C.

30 WATTS MAXIMUM @ 25°C.

CONNECTORS: 7/16 MALE/FEMALE TRI-ALLOY PLATED

FREQUENCY RANGE & VSWR: DC TO 1GHz AT 1.10:1 MAX.

1GHz TO 4GHz AT 1.25:1 MAX.

IMPEDANCE: 50 OHMS, NOMINAL

AMBIENT TEMPERATURE RANGE: -40°C TO +40°C

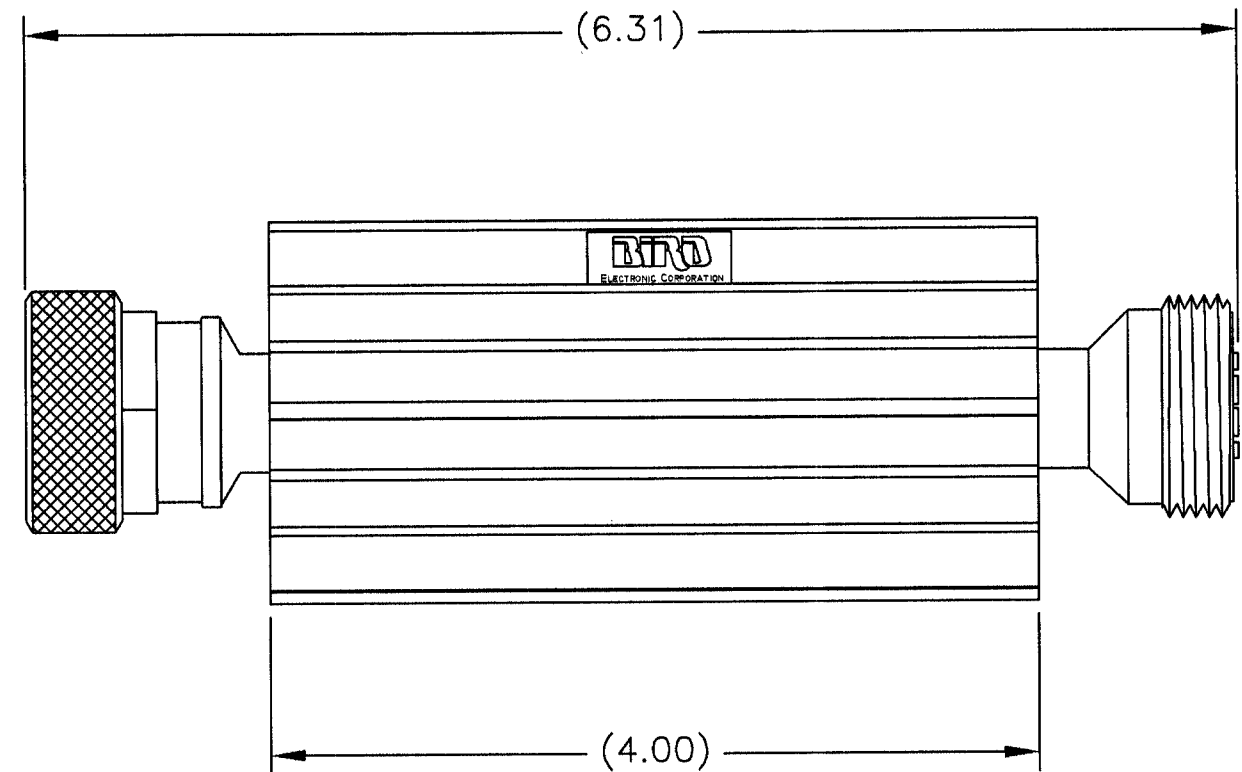
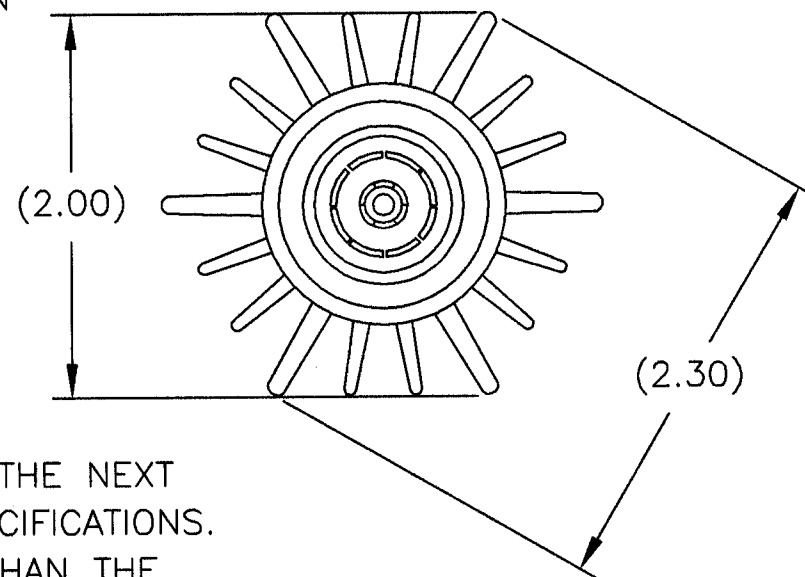
OPERATING POSITION: ANY

COOLANT: DRY (CONVECTION COOLED)

FINISH: BLACK ANODIZED COOLING FIN

NOMINAL SIZE: 6.31"L X 2.3" DIA.

WEIGHT: APPROX. 9 OZ.



REVISIONS				
ZONE	REV	DESCRIPTION	DATE	APPROVED
	A	NEW DRAWING RELEASE	4-21-03	<i>MRL</i>

NOTE:

FOR VALUES NOT LISTED, REFER TO THE NEXT HIGHER ATTENUATION LEVEL FOR SPECIFICATIONS. FOR ATTENUATION VALUES GREATER THAN THE HIGHEST LISTED ATTENUATION VALUE, REFER TO THE VALUE 1/2 THE DESIRED ATTENUATION LEVEL, THEN DOUBLE THE LISTED SPECIFICATION VALUES, UNLESS OTHERWISE SPECIFIED.

XX = DASH NUMBER (dB VALUE)

-30	30	±0.8 dB	±1.3 dB
-20	20	±0.5 dB	±1.0 dB
-10	10	±0.4 dB	±0.8 dB
-06	6	±0.4 dB	±0.6 dB
-03	3	±0.3 dB	±0.5 dB
-02	2	±0.3 dB	±0.5 dB
-01	1	±0.3 dB	±0.5 dB
DASH NO.	dB ATTEN.	DC - 1GHz	1 - 4GHz
		ATTENUATOR ACCURACY ±dB	

UNLESS OTHERWISE SPECIFIED DIMENSIONS ARE IN INCHES TOLERANCES ARE:	FRACTIONS	DECIMALS	ANGLES
	± 1/64	.XX = ±.010 .XXX = ±.005	± 30'
MATERIAL		MILLIMETERS .X = ±.4 .XX = ±.12	
FINISH		DO NOT SCALE DRAWING	

THIS DRAWING IS THE PROPERTY OF THE BIRD ELECTRONIC CORPORATION. THE DESIGNS AND SPECIFICATIONS DISCLOSED HEREON ARE PROPRIETARY AND SHALL NOT BE REPRODUCED, NOR COPIED, NOR USED AS THE BASIS FOR THE MANUFACTURE OR SALE OF APPARATUS OR DEVICES WITHOUT THEIR EXPRESS WRITTEN CONSENT.	
APPROVALS	DATE
DRAWN D.M.RINK	4-21-03
CHECKED	
APPROVED <i>MARCY</i>	4-21-03
AUTOCAD	

BIRD Electronic Corporation
Cleveland (Solon) Ohio USA

FINAL ASS'Y, ATTENUATOR 7/16 MALE/FEMALE, 25W			
SIZE B	FSCM NO. 70998	DWG. NO. 25-A-MFE-XX	REV A
SCALE 1:1	COMM CODE AT1	SHEET 1 OF 1	